



SQH8065S SERIES ~ Semi-Shielded SMD Power Inductors



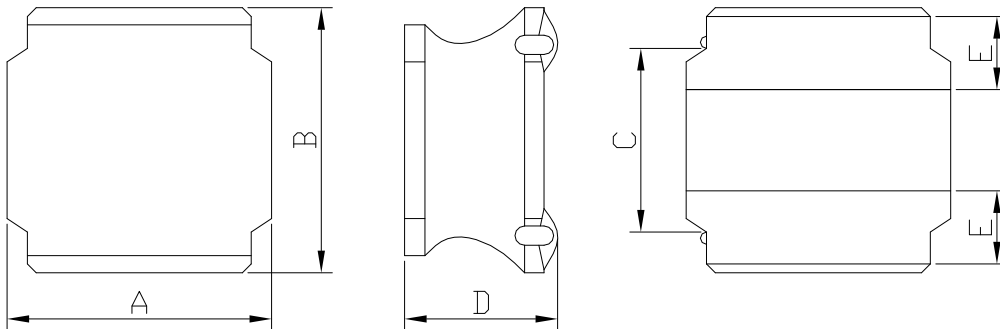
PART NUMBERING SYSTEM

(AEC-Q200)

SQH	8065S	—	330M	—	LF
TYPE	DIMENSIONS		INDUCTANCE		LEAD FREE

SHAPES AND DIMENSIONS

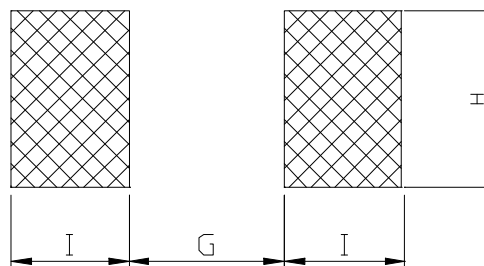
UNIT : mm



A=8.2 Max. B=8.2 Max. C=4.0 Ref. D=6.5 Max. E=1.35±0.2

RECOMMENDED PATTERNS

UNIT : mm



G= 3.10 H= 5.70 I = 1.60

FEATURES

- * Low profile and small inductors (8.3mm Max. square and 6.5mm Max. height)
- * Magnetically shielded construction and high current
- * Ideal for DC-DC converter choke coil for portable equipments (DVDs , DSC , Cellular , PDAs)
- * RoHS compliant option with lead free

SQH8065S SERIES ~ Semi-Shielded SMD Power Inductors



SPECIFICATION TABLE

(AEC-Q200)

PART NUMBER	INDUCTANCE (μ H)	DCR (m Ω) (Typ.)	DCR (m Ω) (Max.)	Isat (A) (Max.)	Irms (mA) (Max.)
SQH8065S-4R7M-LF	4.70 \pm 20%	17.6	22.0	8.50	4.70
SQH8065S-5R6M-LF	5.60 \pm 20%	20.8	26.0	8.00	4.50
SQH8065S-6R8M-LF	6.80 \pm 20%	22.9	28.6	7.50	4.50
SQH8065S-8R2M-LF	8.20 \pm 20%	24.8	31.0	7.00	4.20
SQH8065S-100M-LF	10.0 \pm 20%	32.0	40.0	6.60	4.00
SQH8065S-150M-LF	15.0 \pm 20%	49.6	62.0	4.80	3.60
SQH8065S-220M-LF	22.0 \pm 20%	52.0	65.0	4.30	2.85
SQH8065S-330M-LF	33.0 \pm 20%	94.4	118	3.50	2.30
SQH8065S-470M-LF	47.0 \pm 20%	125	156	3.00	2.20
SQH8065S-680M-LF	68.0 \pm 20%	184	230	2.70	2.10
SQH8065S-820M-LF	82.0 \pm 20%	240	300	2.50	1.40
SQH8065S-101M-LF	100 \pm 20%	312	390	2.30	1.30
SQH8065S-151M-LF	150 \pm 20%	355	426	1.80	1.20
SQH8065S-221M-LF	220 \pm 20%	555	666	1.44	0.95
SQH8065S-331M-LF	330 \pm 20%	698	838	1.12	0.85
SQH8065S-471M-LF	470 \pm 20%	1200	1440	1.08	0.65
SQH8065S-681M-LF	680 \pm 20%	1650	1980	1.00	0.53
SQH8065S-102M-LF	1000 \pm 20%	2350	2830	0.65	0.48
SQH8065S-152M-LF	1500 \pm 20%	3650	4380	0.54	0.36
SQH8065S-222M-LF	2200 \pm 20%	5000	6000	0.45	0.31
SQH8065S-332M-LF	3300 \pm 20%	7300	8760	0.36	0.24
SQH8065S-472M-LF	4700 \pm 20%	12150	14580	0.29	0.19
SQH8065S-682M-LF	6800 \pm 20%	18700	22440	0.26	0.14
SQH8065S-103M-LF	10000 \pm 20%	22800	27360	0.20	0.13

- Test Frequency at 100KHz / 1V in HP4285A precision LCR Meter .
- Isat : DC current at which the inductance drops 30%(typ) from its value without current.
- Irms : The temperature rise current value is the DC current value having temperature increase up 40°C temperature rise from 25°C ambient.
- Operating temperature range -40°C to +125°C , Electrical specifications at 25°C .